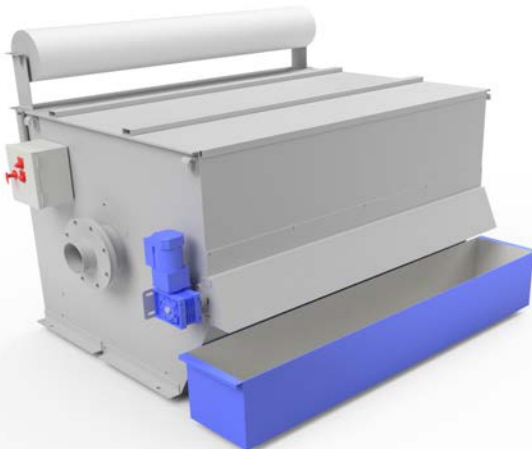


PRAB DRUM-TYPE PAPER FILTERS

PROVEN TO IMPROVE SURFACE FINISH BY AN AVERAGE OF 27%

Small-Footprint Solution for Solids Filtration

PRAB Drum-Type Filters occupy one-third of the floor space of a traditional paper bed filter, saving valuable work space in your facility. Filtered fluid can be reused, lowering your operational costs.



Drum-Type Paper Filter

Increased average tool life from properly filtered fluid, specifically as much as:

- 209% for drills
- 78% for turning tools
- 66% for form tools
- 47% for boring tools
- 26% for reamers

Top Features & Benefits:

- Can be used for both ferrous and non-ferrous metals
- Disposable paper filter media is available in a variety of grades to meet your specific requirements
- Filter media surface is automatically indexed only when needed
- Automatic self-cleaning and self-monitoring system
- Longer coolant life
- Removal of particulate down to 25 micron level
- Prolongs tool life
- Improves surface finish of the component part
- Units are available with flow rates up to 525 GPM

Backed by the **PRAB Difference**



PRAB DRUM-TYPE PAPER FILTERS

SIGNIFICANTLY LOWER YOUR OPERATIONAL COSTS

Operation:

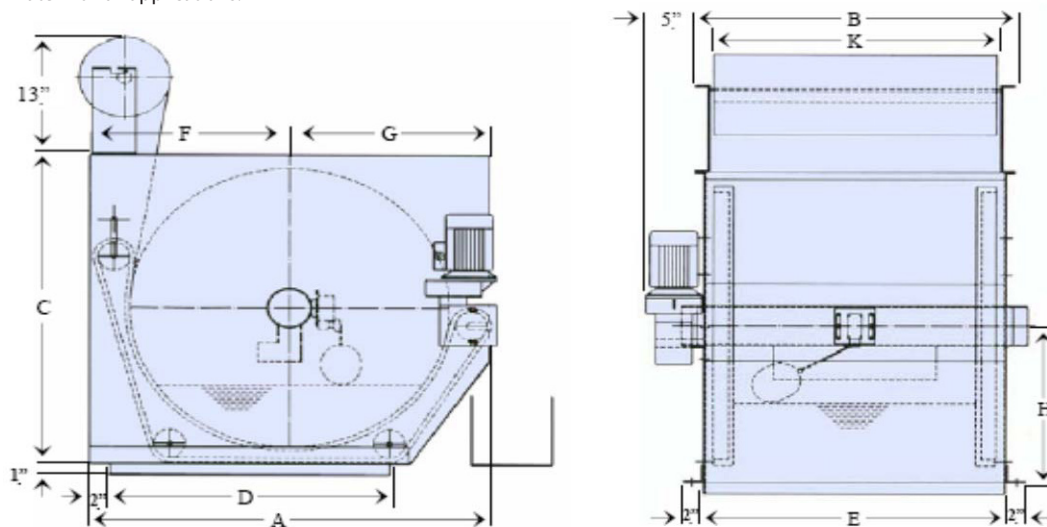
The coolant is pumped from the machining center or grinder to the center of the drum via a distribution trough. The drum is lined with a non-woven filter media. The liquid then flows through the media, removing particles in suspension, and discharges through the bottom of the unit into a sump or tank. As the media blinds off and the coolant level rises to a predetermined level in the drum, a sensor activates the media advance mechanism, rotating the drum and exposing new media.

Model	Flow Rate* (Water)	Drum Diameter	Paper Width	A	B	C	D	E	F	G	H	Motor HP	Inlet
DF-140	35 GPM	22"	19.5"	30"	23"	25"	23"	21"	15"	15"	13"	1/3	3"
DF-200	50 GPM	22"	28"	30"	31"	25"	23"	30"	15"	15"	13"	1/3	3"
DF-360	95 GPM	31.5"	28"	40"	31"	35"	28"	29"	20"	20"	18"	1/3	4"
DF-500	130 GPM	31.5"	39"	40"	43"	35"	28"	41"	20"	20"	18"	1/3	4"
DF-1000	260 GPM	39"	39"	42"	43"	43"	35"	41"	23"	23"	22"	1/3	8"
DF-1500	390 GPM	39"	59"	42"	62"	43"	35"	61"	23"	23"	22"	1/3	8"
DF-2000	525 GPM	39"	78"	42"	82"	43"	35"	80"	23"	23"	22"	1/3	8"

*Flow rates above are based on water soluble coolant and 50 micron clarity.

*Contact PRAB for flowrate with oil applications.

All dimensions are for reference only.



Clean coolant discharge dimensions: "D" by "E"

Applications:

- All grinding applications
- General machining
- Honing and gear cutting
- Lathe operations
- Parts washers
- Phosphatizing baths
- Tube and rolling mills
- Waste treatment
- Wire drawing



A true performance guarantee ensuring your PRAB equipment achieves the specific results it was designed and manufactured to deliver. And if you need technical support, call us. We are available 24/7.

Contact us to **request a quote** today

5801 East N Avenue, Kalamazoo, MI 49048

Phone: 1-800-968-7722 | Email: sales@prab.com | Website: prab.com

