

# PRAB HEAVY-DUTY CHIP CARTS

## MINIMIZE MANUAL SCRAP HANDLING

### Move Wet or Dry Metal Scrap Safely and Easily with Industrial Carts

PRAB chip carts provide easy transporting of dry or wet metal chips and turnings. Heavy-duty steel construction provides leak-proof performance. A range of models and capacities are available to meet your particular needs. PRAB mobile containers can be efficiently operated by one person to improve plant housekeeping, and minimize manual scrap handling costs. A full range of options are available, including: tow links, dumping trunnions, dumping frames and hinged drain covers.



### Features and Benefits:

- Efficiently operated by one person
- Improves housekeeping
- Minimizes scrap handling costs
- Reduces production downtime
- An automatic dumping station can be added to fully automate the discharge dumping process

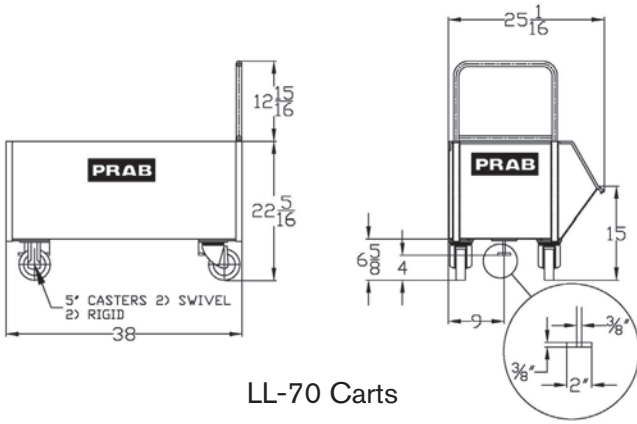
Model	Capacity (ft <sup>3</sup> )	Rating (lbs.)	Bin Dimensions
LL-70	6.9	1,000	36" x 24" x 15.5"
LL-96	9.6	1,000	42" x 28" x 15.5"
HW-94	9.4	1,500	36" x 23" x 22"
HW-134	13.4	1,500	42" x 27" x 22"
HW-134-8 (8" wheels)	13.4	1,500	42" x 27" x 22"
TD-80	8	850	37" x 24" x 18.5"
TD-80-8 (8" wheels)	8	850	37 x 24" x 18.5"

Backed by the **PRAB Difference**

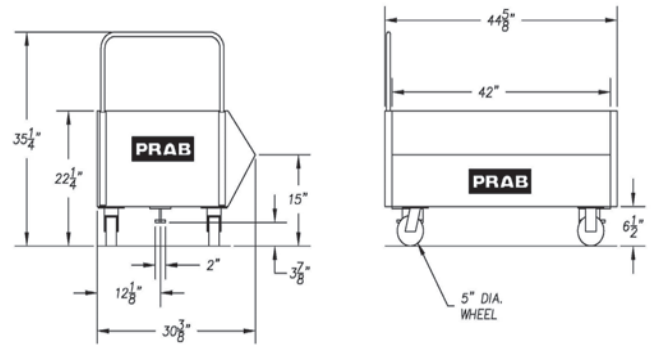


# PRAB HEAVY-DUTY CHIP CARTS

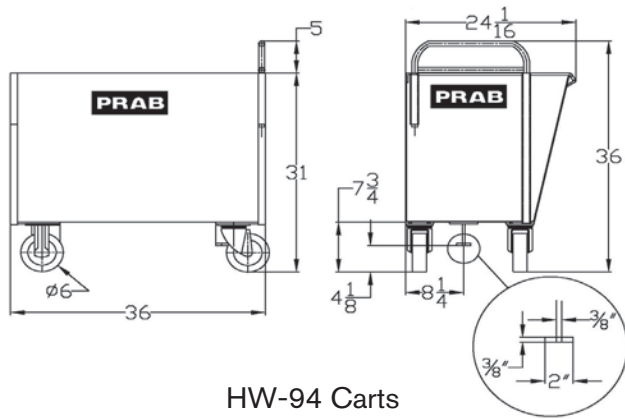
MOVE WET OR DRY CHIPS, TURNINGS, AND DIE SCRAP



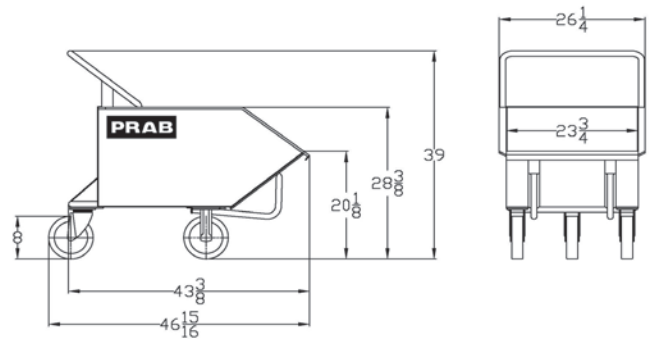
LL-70 Carts



LL-96 Carts

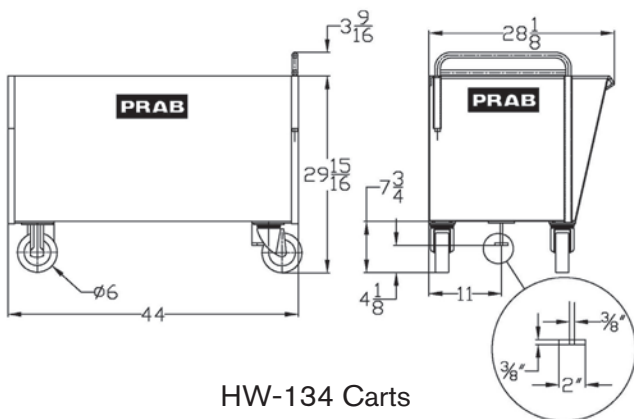


HW-94 Carts

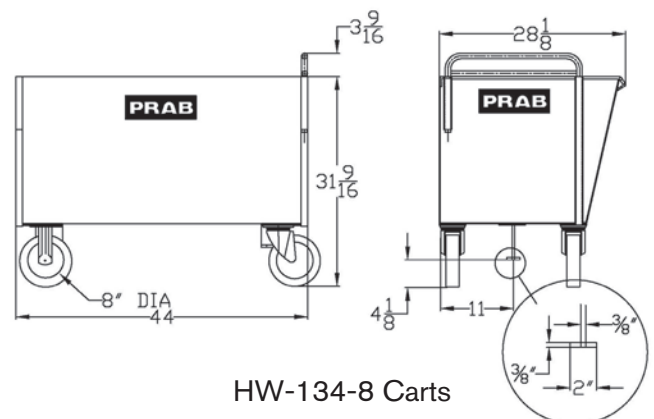


TD-80-8 Carts

(Reduce high dimensions by 2" with TD-80 cart with 6" wheels)



HW-134 Carts



HW-134-8 Carts



A true performance guarantee ensuring your PRAB equipment achieves the specific results it was designed and manufactured to deliver. And if you need technical support, call us. We are available 24/7.

Contact us to **request a quote** today

5801 East N Avenue, Kalamazoo, MI 49048

Phone: 1-800-968-7722 | Email: sales@prab.com | Website: prab.com



a global company