

Paper Bed Filters Provide Cost Effective Solutions for Solids Filtration With or Without Magnetic Separation

PRAB offers a complete line of paper bed filters that provide long term solutions for solids filtration. Filtered fluid can be reused or recycled, lowering your operational costs.

Features and Benefits to the Customer:

- Can be used for both ferrous and non-ferrous metals
- Disposable paper filter media is available in a variety of grades to meet your specific requirements
- Filter surface is automatically indexed only when needed
- Automatic self-cleaning and self-monitoring system
- Longer coolant life
- Removal of particulate down to 10 micron level
- Prolongs tool life
- Improves surface finish of the component part
- Units are available with flow rates up to 130 gpm



Standard Paper Bed Filter

Applications:

- All Grinding Applications
- General Machining
- Honing & Gear Cutting
- Lathe Operations
- Parts Washers
- Phosphatizing Baths
- Tube and Rolling Mills
- Waste Treatment
- Wire Drawing



Magnetic Paper Bed Filter



A true performance guarantee ensuring your PRAB equipment achieves the specific results it was designed and manufactured to deliver. And if you need technical support, call us. We are available 24/7.



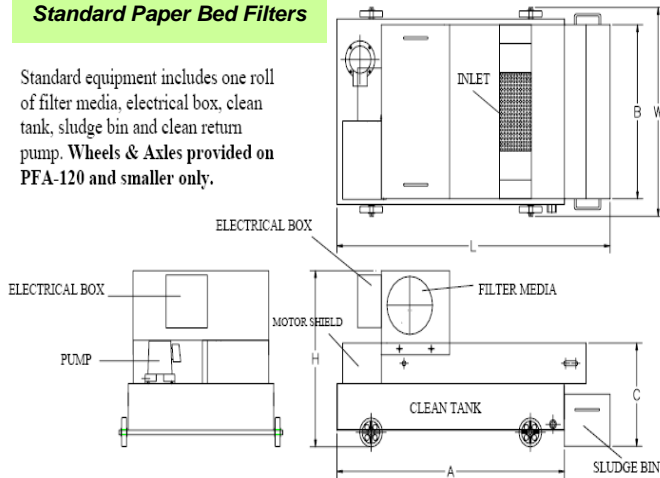
FLUID FILTRATION

Paper Bed Filters

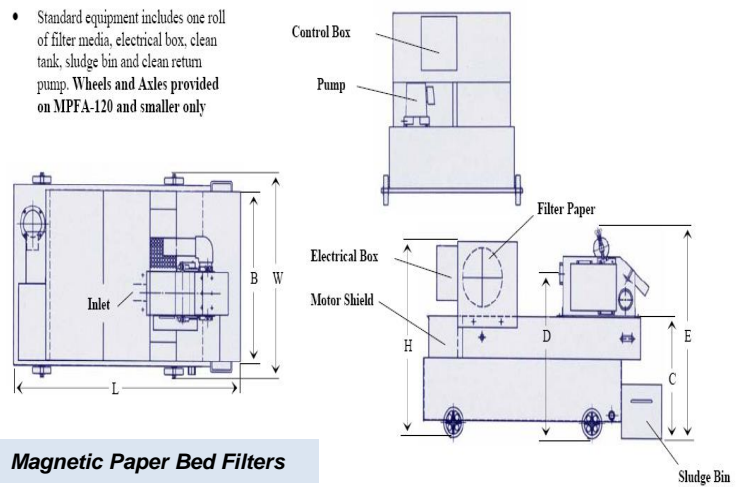
Model	Flow Rate	Tank Capacity	L	A	B	C	W	H	Pump HP	Paper Motor HP	Paper width
PFA-20	5 gpm	20 gal	41"	34"	24"	14"	28"	24"	1/8	1/16	19"
PFA-40	10 gpm	30 gal	47"	39"	24"	16"	28"	26"	1/8	1/16	19"
PFA-60	15 gpm	35 gal	53"	45"	24"	16"	28"	26"	1/8	1/16	19"
PFA-80	20 gpm	40 gal	59"	51"	24"	16"	28"	26"	1/4	1/16	19"
PFA-120	30 gpm	55 gal	59"	51"	32"	16"	36"	30"	1/2	1/10	28"
PFA-160	40 gpm	90 gal	74"	66"	34"	16"	44"	30"	3/4	1/10	28"
PFA-240	60 gpm	115 gal	61"	53"	42"	17"	53"	30"	1	1/10	39"
PFA-360	95 gpm	170 gal	85"	77"	42"	17"	53"	30"	1	1/10	39"
PFA-500	130 gpm	220 gal	128"	116"	42"	17"	53"	30"	Qty 2: 1HP	1/4	39"

Standard Paper Bed Filters

- Standard equipment includes one roll of filter media, electrical box, clean tank, sludge bin and clean return pump. Wheels & Axles provided on PFA-120 and smaller only.



- Standard equipment includes one roll of filter media, electrical box, clean tank, sludge bin and clean return pump. Wheels and Axles provided on MPFA-120 and smaller only.



Magnetic Paper Bed Filters

Model	Flow Rate	Tank Capacity	L	A	B	C	D	E	F	H	W	Pump HP	Paper Motor HP	Paper width
MPFA-20	5 gpm	20 gal	41"	33"	23"	14"	19"	26"	1-1/2"	24"	28"	1/8	1/16	19"
MPFA-40	10 gpm	30 gal	47"	39"	23"	16"	21"	28"	2"	26"	28"	1/8	1/16	19"
MPFA-60	15 gpm	35 gal	53"	45"	23"	16"	22"	28"	2"	26"	28"	1/8	1/16	19"
MPFA-80	20 gpm	40 gal	59"	51"	23"	16"	22"	28"	2"	26"	28"	1/4	1/16	19"
MPFA-120	30 gpm	55 gal	59"	51"	31"	16"	23"	29"	2-1/2"	29"	36"	1/2	1/10	28"
MPFA-160	40 gpm	90 gal	71"	63"	31"	16"	24"	29"	3"	29"	36"	3/4	1/10	28"
MPFA-240	60 gpm	115 gal	61"	53"	42"	17"	25"	36"	3"	29"	52"	1	1/10	39"
MPFA-360	95 gpm	170 gal	85"	77"	42"	17"	25"	36"	4"	29"	52"	1	1/10	39"
MPFA-500	130 gpm	220 gal	128"	116"	42"	17"	25"	36"	6"	30"	53"	Qty 2: 1HP	1/4	39"



800-493-3462 (US/Can) or 269-342-1918
fax 269-342-4120

Get a **FREE MATERIAL & SYSTEM ANALYSIS!** Contact: filtration@prab.com

www.prab.com

