

# DRUM-TYPE SCRAPER SEPARATOR

INCREASE COOLANT LIFE, REDUCE COOLANT PURCHASES

## Lower Your Maintenance Costs & Boost Your Bottom Line

PRAB Drum-Type Scrap Separators provide high-quality separation that is applicable to aluminum, non-ferrous, and composite materials. The unit does not consume any filtration materials, savings that go directly to your bottom line.



## Top Features & Benefits:

- Increases coolant life and reduces new coolant purchases
- Extends the life of cutting tools and provides cleaner surface finish
- Increases coolant pump life cycle by reducing the risk of coolant lines clogging
- Protected filter media drum prevents damage of primary drum filter, resulting in longer life cycle
- Reduces maintenance costs by eliminating clogging and minimizing machine sump cleanout
- Drag flight conveyor removes particulate, depositing it into supplied hopper



A true performance guarantee ensuring your PRAB equipment achieves the specific results it was designed and manufactured to deliver. And if you need technical support, call us. We are available 24/7.

5801 East N Avenue, Kalamazoo, MI 49048  
Phone: 1-800-968-7722 | Fax: 1-269-349-2477 | sales@prab.com  
[prab.com](http://prab.com)



# DRUM-TYPE SCRAPER SEPARATOR

INCREASE COOLANT LIFE, REDUCE COOLANT PURCHASES

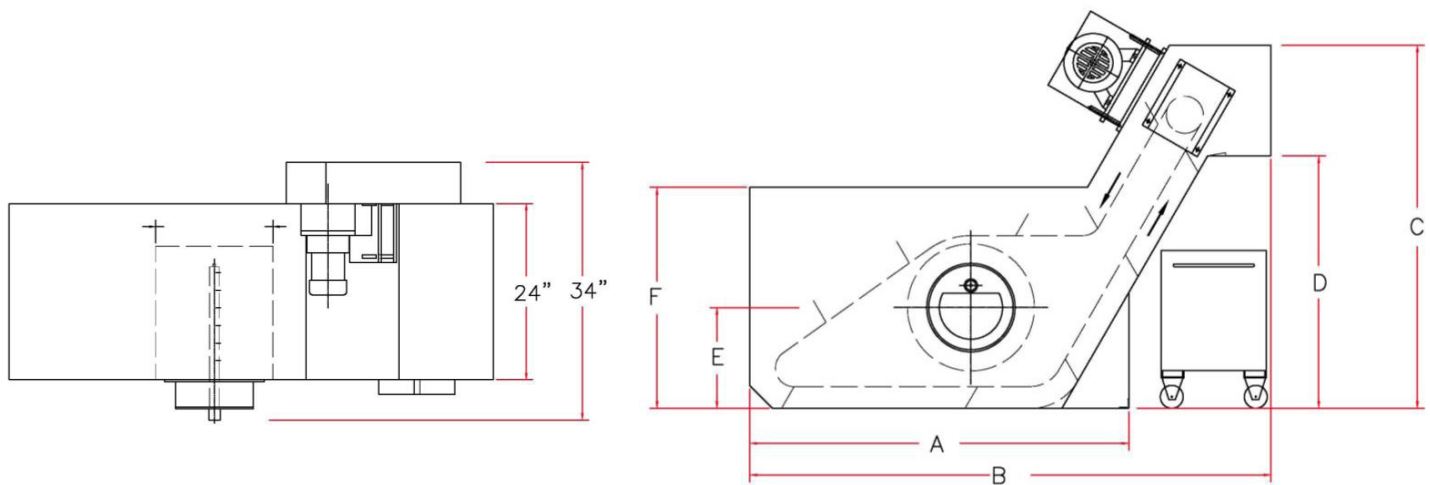
## Operation:

Dirty coolant enters the system through the back of the Drum-Type Scrap Separator. The coolant passes through the filter sleeve inwardly into the clean tank. The chips and solids retained by the sleeve will be flushed off the filter by an internal back flushing spray bar. The solids will drop to the bottom of the separator and will be removed on a continuous basis by the drag conveyor system. As the chips slowly move up the incline, the coolant will drain from the chips back into the filter, minimizing moisture on the chips.

Model	Flow Rate	Drum Diameter x Number of Drums	A	B	C	D	E	F	Motor HP
SDC3-1	75 gpm	12" x 1	39"	57"	45"	31"	13"	24"	1/8
SDC3-2	185 gpm	12" x 2	55"	73"	45"	31"	13"	24"	1/4
SDC3-3	260gpm	12" x 3	71"	88"	45"	31"	13"	24"	1/4
SDC4-1	130gpm	16" x 1	47"	65"	45"	31"	17"	28"	1/8
SDC4-2	260gpm	16" x 2	65"	83"	45"	31"	17"	28"	1/4
SDC6-1	185 gpm	24" x 1	51"	73"	53"	39"	21"	35"	1/4
SDC6-2	370 gpm	24" x 2	78"	100"	53"	39"	21"	35"	1/4

\*Flow rates above are based on water-soluble coolant and 80-micron clarity.

All dimensions are reference only.



## Applications:

- All grinding applications
- General machining
- Milling
- Lathe operations
- Tube and rolling mills
- Gear cutting

5801 East N Avenue, Kalamazoo, MI 49048  
 Phone: 1-800-968-7722 | Fax: 1-269-349-2477 | sales@prab.com

[prab.com](http://prab.com)