

PRAB MAGNETIC SEPARATORS - SS

ADVANCED SEPARATION UTILIZING HIGH-INTENSITY RARE EARTH SUPER MAGNETS

10X The Force of Conventional Ferrite Magnets

PRAB SS Magnetic Separators employ high-intensity rare earth magnets within a fully energized rotating drum to continuously remove ferrous particles from the flow of liquid. These systems are often used as a pre-filter to limit contaminants from reaching subsequent filtration equipment.



Model SS-360: Rare Earth Super Magnetic Separator

Features and Benefits:

- Utilizes rare earth magnets that have 10X (3,600 gauss) the force of conventional ferrite magnets
- Easily removes high levels of ferrous contaminants
- Continuous operation
- Prolongs tool life
- Improves surface finish of the component part
- Decreases machine downtime by up to 50%
- Reduces waste disposal
- No consumable media
- Units are available with flow rates from 95 GPM to 315 GPM

A true performance guarantee ensuring your PRAB equipment achieves the specific results it was designed and manufactured to deliver. And if you need technical support, call us. We are available 24/7.



5801 East N Avenue, Kalamazoo, MI 49048
Phone: 1-800-968-7722 | Fax: 1-269-349-2477 | sales@prab.com

prab.com



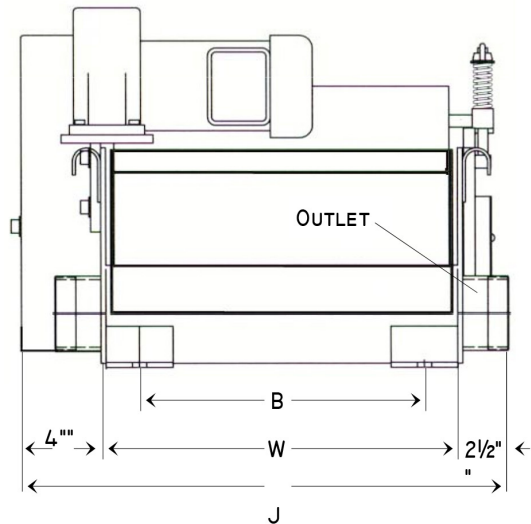
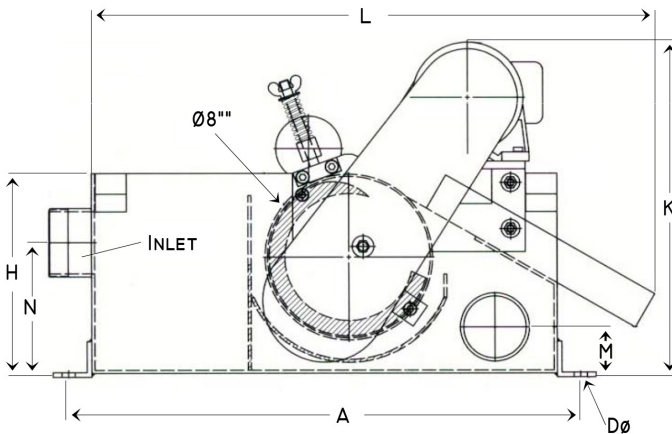
PRAB MAGNETIC SEPARATORS - SS

ADVANCED SEPARATION UTILIZING
HIGH-INTENSITY RARE EARTH SUPER MAGNETS

Specifications:

Model	Flow Rate	L	W	H	M	N	A	B	D	J	K	Inlet	Outlet	Motor HP
SS-360	95 GPM	32"	24"	10.5"	3"	7"	25"	21"	1/2"	31"	17.5"	4"	4"	1/8
SS-500	130 GPM	32"	32"	10.5"	3"	7"	25"	29"	1/2"	39"	17.5"	5"	5"	1/8
SS-800	210 GPM	32"	48"	10.5"	3"	7"	25"	45"	1/2"	54"	17.5"	5"	5"	1/4
SS-1000	260 GPM	28"	66"	10.5"	3"	7"	26"	56"	1/2"	66"	17.5"	5"	5"	1/4
SS-1200	315 GPM	28"	72"	10.5"	4.5"	7"	26"	68"	1/2"	78"	17.5"	8"	8"	1/4

All dimensions for reference only.



Applications:

- Ferrous Metal Machining
- Production Grinding Applications
- General Machining
- ID & OD Grinding
- Honing
- Gear Cutting
- Lapping
- Gun Drilling
- Lathe Operations
- Wire Drawing

5801 East N Avenue, Kalamazoo, MI 49048
Phone: 1-800-968-7722 | Fax: 1-269-349-2477 | sales@prab.com

prab.com

PF1322

