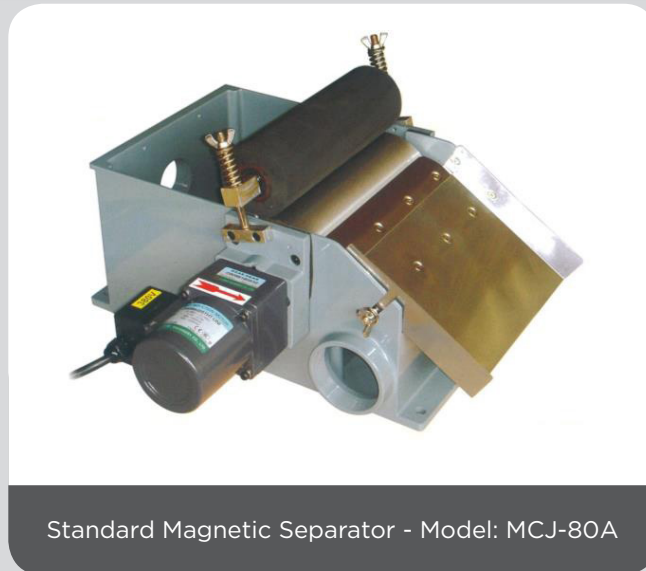


# PRAB MAGNETIC SEPARATORS - MCJ-A

## COST EFFECTIVE CLARIFIER WITH A PROVEN DESIGN

### Continuously Remove Ferrous Particles from the Flow of Liquid

PRAB MCJ-A Magnetic Separators employ high-intensity ferrite magnets within a fully energized rotating drum to continuously remove ferrous particles from the flow of liquid. These systems are often used as a pre-filter to limit contaminants from reaching subsequent filtration equipment.



Standard Magnetic Separator - Model: MCJ-80A

### Features and Benefits:

- Utilizes ferrite magnets with 1,600 gauss rating for highly effective fluid filtration
- Easily removes high levels of ferrous contaminants
- Continuous operation
- Prolongs tool life
- Improves surface finish of the component part
- Decreases machine downtime by up to 50%
- Reduces waste disposal
- No consumable media
- Units are available with flow rates from 20 GPM to 60 GPM

A true performance guarantee ensuring your PRAB equipment achieves the specific results it was designed and manufactured to deliver. And if you need technical support, call us. We are available 24/7.



5801 East N Avenue, Kalamazoo, MI 49048  
Phone: 1-800-968-7722 | Fax: 1-269-349-2477 | sales@prab.com

[prab.com](http://prab.com)

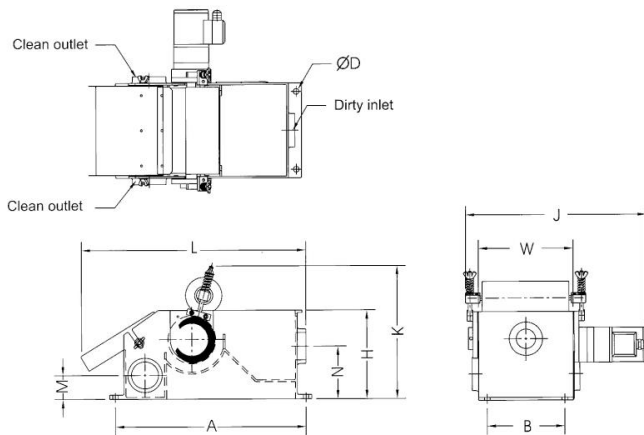


# PRAB MAGNETIC SEPARATORS - MCJ-A

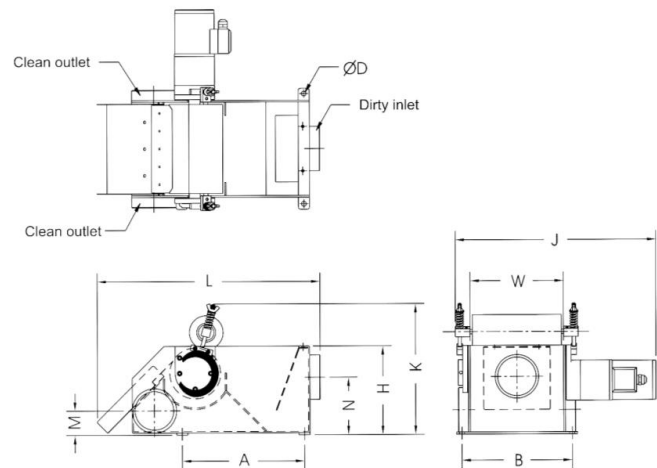
## COST-EFFECTIVE CLARIFIER WITH A PROVEN DESIGN

### Specifications:

MCJ-80A to MCJ-160A Drawing



MCJ-240A Drawing



Model	Flow Rate	L	W	H	M	N	A	B	D	J	K	Inlet NPT	Outlet NPT	Motor HP
MCJ-80A	20 GPM	18.25"	9.5"	7.25"	2"	4.3"	15.7"	8.3"	7/16"	17.5"	11"	2"	2.5"	1/16
MCJ-120A	30 GPM	19"	10.6"	8.7"	2.5"	5.5"	15.7"	9"	7/16"	18.6"	12.4"	3"	3"	1/10
MCJ-160A	40 GPM	19"	14"	8.7"	2.5"	5.5"	15.7"	12.3"	7/16"	21.9"	12.4"	3"	3"	1/10
MCJ-240A	60 GPM	19.8"	17.7"	7.9"	2.5"	4.9"	10.8"	19.2"	7/16"	27.1"	11.6"	3"	3"	1/10

### Applications:

- Ferrous Metal Machining
- Production Grinding Applications
- General Machining
- ID & OD Grinding
- Honing
- Gear Cutting
- Lapping
- Gun Drilling
- Lathe Operations