

# PRAB MAGNETIC SEPARATORS - MCA

## COST EFFECTIVE CLARIFIER WITH A PROVEN DESIGN

### Continuously Remove Ferrous Particles from the Flow of Liquid

PRAB MCA Magnetic Separators employ high-intensity ferrite magnets within a fully energized rotating drum to continuously remove ferrous particles from the flow of liquid. These systems are often used as a pre-filter to limit contaminants from reaching subsequent filtration equipment.



Standard Magnetic Separator - Model: MCA-60



Standard Magnetic Separator - Model: MCA-500

### Features and Benefits:

- Utilizes ferrite magnets with 1,200 gauss rating for highly effective fluid filtration
- Easily removes high levels of ferrous contaminants
- Continuous operation
- Prolongs tool life
- Improves surface finish of the component part
- Decreases machine downtime by up to 50%
- Reduces waste disposal
- No consumable media
- Units are available with flow rates up to 315 GPM

A true performance guarantee ensuring your PRAB equipment achieves the specific results it was designed and manufactured to deliver. And if you need technical support, call us. We are available 24/7.



5801 East N Avenue, Kalamazoo, MI 49048  
Phone: 1-800-968-7722 | Fax: 1-269-349-2477 | sales@prab.com

[prab.com](http://prab.com)



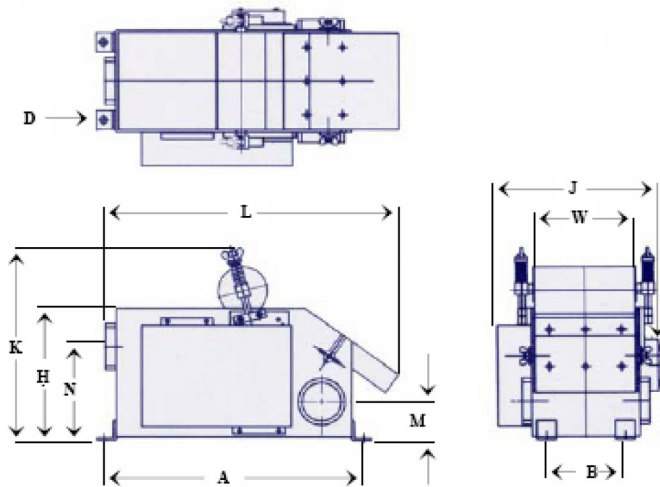
# PRAB MAGNETIC SEPARATORS - MCA

## COST-EFFECTIVE CLARIFIER WITH A PROVEN DESIGN

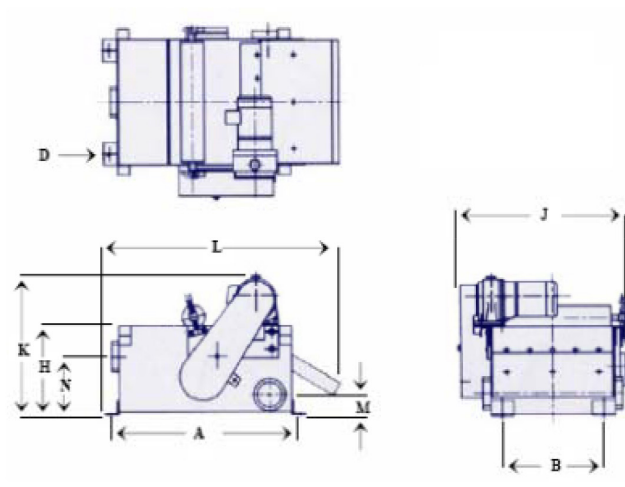
### Specifications:

Model	Flow Rate	L	W	H	M	N	A	B	D	J	K	Inlet	Outlet	Motor HP
MCA-20	5 GPM	18"	5"	8"	2.5"	6"	16"	4"	1/2"	9"	12"	1-1/2"	1-1/2"	1/16
MCA-40	10 GPM	18"	6"	8"	2.5"	6"	16"	4"	1/2"	10"	12"	2"	2"	1/16
MCA-60	15 GPM	18"	8"	8"	2"	6"	16"	7"	1/2"	12"	12"	2"	2"	1/16

Drawing for MCA Models 20 to 60



Drawing for MCA Models 360 to 1200



Model	Flow Rate	L	W	H	M	N	A	B	D	J	K	Inlet	Outlet	Motor HP
MCA-360	95 GPM	32"	24"	12"	3"	8"	26"	21"	5/8"	31"	19"	1-1/2"	4"	1/8
MCA-500	130 GPM	32"	32"	12"	3.5"	8"	26"	29"	5/8"	39"	19"	5"	5"	1/8
MCA-800	210 GPM	32"	48"	12"	3.5"	8"	26"	44"	5/8"	54"	19"	5"	5"	1/4
MCA-1000	260 GPM	32"	60"	16"	5"	11"	33"	56"	5/8"	66"	22"	6"	6"	1/4
MCA-1200	315 GPM	32"	72"	20"	6"	15"	32"	68"	5/8"	78"	27"	8"	8"	1/4

### Applications:

- Ferrous Metal Machining
- Production Grinding Applications
- General Machining
- ID & OD Grinding
- Honing
- Gear Cutting
- Lapping
- Gun Drilling
- Lathe Operations

5801 East N Avenue, Kalamazoo, MI 49048  
 Phone: 1-800-968-7722 | Fax: 1-269-349-2477 | sales@prab.com

[prab.com](http://prab.com)

PF1318

